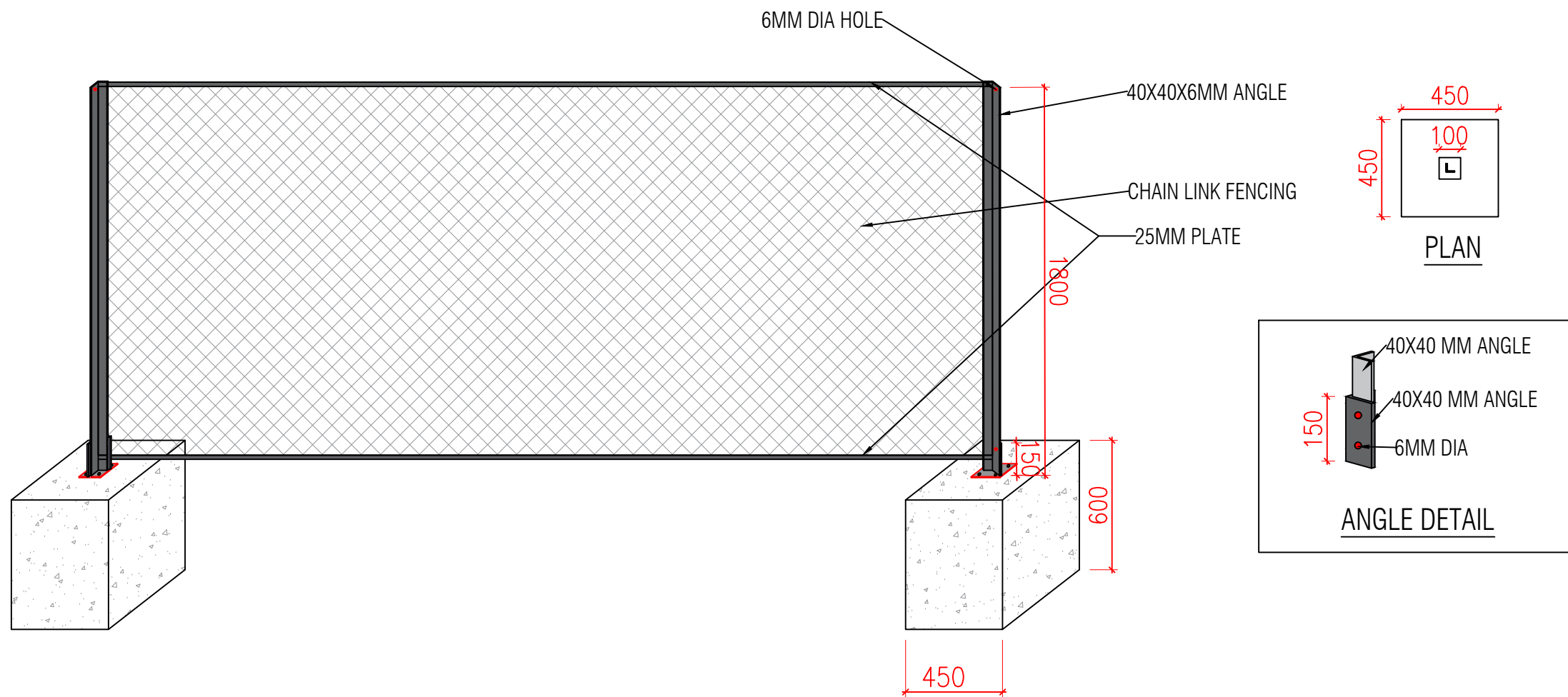


NOTES :-

1. ALL DIMENSIONS ARE IN MM. UNLESS MENTIONED OTHERWISE.
2. ALL DIMENSIONS ARE TO BE READ ONLY AND NOT TO BE MEASURED/ SCALED.



SECURITY FENCING DETAIL

PRINTS ISSUE LOG

REV.No.	REVISION DETAIL	DATE

ENGINEERING WORKS DIVISION
INDIAN INSTITUTE OF TECHNOLOGY
PALAKKAD

DWG TITLE	SECURITY FENCING		 NORTH

DRAWING	DRAWN BY	CHECKED BY	
	DATE	SCALE	
	SHEET SIZE	SHEETS	
Drawing No.	IITPKD/EWD/SECURITYFENCING/01	REV. NO.	R0