

**NOTICE INVITING ENQUIRY FOR SUPPLY, INSTALLATION AND
COMMISSIONING OF HOSTEL FURNITURE (STEEL COT, STEEL ALMIRAH,
STUDY TABLE & METAL CHAIR)**

Tender No. IITPKD/HOS/032/2018-19

Date of issue: 23.10.2018

Date of closing: 13.11.2018 at 15.00 hrs.



IIT PALAKKAD

Indian Institute of Technology Palakkad
Ahalia Integrated Campus,
Kozhipara, Palakkad – 678 557

| Sl. No. | Particulars | Date | Time |
|---------|-----------------------------------|------------|-----------|
| 1 | Opening of Technical Bid | 13.11.2018 | 15.30 Hrs |
| 2 | Last date of submission of tender | 13.11.2018 | 15.00 Hrs |
| 3 | Tender document download start | 13.10.2018 | 12.00 Hrs |
| 4 | Tender document download end | 13.11.2018 | 15.00 Hrs |

Integrated Campus,
Kozhipara,
Palakkad - 678 557
Block II, Ahalia, Palakkad
Conference Room, Academic

Indian Institute of Technology Palakkad invites sealed Tender under Two-Bid System for Supply, Installation and Commissioning of Hostel Furniture (Steel Cot, Steel Almirah, Study Table and Metal Chair) as per the specifications given in Annexure - I. The tender documents may be obtained from the Office of the Registrar, IIT Palakkad, Ahalia Integrated Campus, Kozhipara, Palakkad -678 557 or downloaded from The <https://iitpkd.ac.in/tenders> and <https://eprocure.gov.in/cppp/> supply of tender documents will close on the last working day at 15.00 hours before the last date for submission of the tenders.

The Technical Bid and the Commercial Bid shall be sealed by the bidder in separate covers duly superscribed as Supply, Installation and Commissioning of Hostel Furniture (Steel Cot, Steel Almirah, Study Table and Metal Chair) Technical Bid and Supply, Installation, Testing and Commissioning of Hostel Furniture (Steel Cot, Steel Almirah, Study Table and Metal Chair) Financial bid respectively and both these sealed covers are to be put in a bigger cover which should also be sealed and duly superscribed as Tender for Supply, Installation and Commissioning of Hostel Furniture (Steel Cot, Steel Almirah, Study Table and Metal Chair) Tender No. IITPKD/HOS/032/2018-19. The technical details of the furniture along with the filled-in format (Annexure-II) should be kept inside the Technical Bid envelope and sealed. The tender must reach Registrar, IIT Palakkad, Ahalia Integrated Campus, Kozhipara, Palakkad -678 557 by post or by hand on or before 13.11.2018 at 15.00 hrs.

Tenders received after due date/time will not be considered under any circumstances. Canvassing in any form will result in the disqualification of the bidder. Tenders sent by fax/email will not be considered. To avoid any complications with regard to Late Receipt/Non Receipt of Tenders, it may please be noted that responsibility rests with the bidder to ensure that the tenders reach the above mentioned address on or before the due date.

Important Dates

| Events | Date | Time | Venue |
|-------------------------------------|------------|-----------|---|
| Tender Document Download Start Date | 23.10.2018 | 15.00 Hrs | - |
| Tender Document Download End Date | 13.11.2018 | 15.00 Hrs | |
| Last date of submission of tenders | 13.11.2018 | 15.00 Hrs | |
| Opening of Technical Bids | 13.11.2018 | 15.30 Hrs | Conference Room, Academic Block, IIT Palakkad, Ahalia Integrated Campus, Kozhipara, Palakkad – 678 557. |

Instructions to Bidders including Terms and Conditions

1. Scope of Bid

1.1. Indian Institute of Technology Palakkad hereinafter called “Purchaser”, invites bid for Supply, Installation and Commissioning of Hostel Furniture (Steel Cot, Steel Almirah, Study Table and Metal Chair)

2. Cost of Bidding

2.1. The Bidder shall bear all costs associated with the preparation and submission of its bid and the Purchaser shall in no case be responsible or liable for those costs regardless of the conduct or outcome of the bidding.

3. Tender Document

3.1. The Tender Document is not transferable.

3.2. The bidder shall make a copy of the tender document before submitting the same to the concerned office. No requests will be entertained for making a copy after the submission of the document.

4. Clarifications in Tender Document

4.1. The Purchaser will respond to any request for clarification or modification of the Tender Document that are received up to **FIVE (05) days** prior to the deadline for submission of bids prescribed by the Purchaser. For this purpose, the prospective Bidder(s) requiring clarification in the Tender Document shall notify the Purchaser in writing at the Purchaser’s address.

4.2. Written copies of the Purchaser’s response including the explanation of the query raised by the Bidders will be sent to all the Bidders who have purchased the Tender Document. Further, it will be assumed that the Bidder has taken into account such clarifications/explanations while submitting the bid.

5. Amendment of Tender Document

5.1. The Purchaser may, for any reason, whether at its own initiative or in response to a clarification requested by a prospective Bidder, modify the Tender Document by way of amendment(s) four days prior to the deadline for submission of bids.

5.2. Amendments will be intimated in writing to all Bidders who have received the Tender Document and shall be binding on them. Further, it will be assumed that the Bidder has taken into account such amendments while submitting the bid.

6. Language of Bid

6.1. The bid prepared by the Bidder and all correspondence and documents related to the tender exchanged by the Bidder and the Purchaser shall be in English and the Contract shall be construed and interpreted in accordance with that language.

6.2. If any of the brochures, leaflets or communication is prepared in any language other than English, a translation of such document, correspondence or communication shall also be provided at the cost and risk of the bidder. The translation so provided shall prevail in matters of interpretation. The bidder, with respect to such documents, correspondence, and communications, shall bear the costs and risks of such translation.

7. Documents Comprising the Bid

7.1. All bids must be substantially responsive and shall comprise the following:

- a. Earnest Money Deposit (EMD) put in a sealed cover.
- b. Separate a sealed covers for Technical as well as Commercial bids
- c. **The sealed covers in (a) and (b) above shall be put together in a bigger sealed cover.**
- d. Documents establishing conformity of the furniture to the Tender Document;
- e. Bidder’s company related information. The bidder should furnish photocopies of the PAN, GST and TIN.

- f. Copy of Tender Document marked "Original" with each page signed and stamped to acknowledge acceptance of the same;
- g. The Bidder should have manufactured similar type of furniture and should have already supplied it to a number of customers for at least three years (**Proof to be enclosed**). A list of customers in India with details for contacting them and possibly inspecting the furniture must accompany the quotation.
- j. Any other information, which the Bidder wishes to provide.

8. Submission of Samples :

- a. The bidder must provide Sample of Furniture at IIT Palakkad, on or before the deadline for submission of tender as per CVC guidelines. The financial bids will be opened only of those firms, whose samples have been accepted by the Committee.
- b. All samples submitted must be clearly labelled with the bidders name and address.
- c. All samples required for Test shall be supplied by the supplier free of cost. Where the samples which is supplied free is rejected after examination and test, the same or whatever remains of the sample after examination and test will be returned to the bidder at his cost on request made within one month of the date of rejection.
- d. Factory Visit : Before issuing the purchase order, a duly constituted Committee may inspect the manufacturing facility of the bidder to satisfy the capability of supplying the furniture. The Committee's decision will be considered as final.
Before shipment, to ensure that the same quality as the given sample is maintained, the goods to be supplied may be inspected in the company premises.

9. Format and Signing of Bid

- 9.1. The bid shall be typed or written in indelible ink and shall be signed by the Bidder or a person or persons authorized. All pages of the bid shall be numbered and except for unamendable printed literature, shall be initialised by the person or persons signing the bid.
- 9.2. The bid shall not contain any internalisations, erasures, or overwriting, except to correct errors made by the Bidder, in which case the person or persons signing the bid shall initial such corrections.

10. Sealing and Marking of Bids

- 10.1. The Bidder shall seal the bid in an envelope.
- 10.2. The envelope shall be addressed to **The Registrar, IIT Palakkad, Ahalia Integrated Campus, Kozhipara, Palakkad – 678 557.**
 - (a) bear the reference number, the title of the Tender Document and
 - (b) bear the name and address of the Bidder so that the bid can be returned unopened in case it is declared late.
- 10.3. If the outer envelope is not sealed and marked as required above, the Purchaser will assume no responsibility for the bid's misplacement or premature opening.
- 10.4. Cable/Facsimile or Fax/conditional Bids shall be rejected.

11. Bid Prices

- 11.1. Prices must be quoted separately for each furniture/item identified.
- 11.2. **Price quoted for furniture must include all costs associated with packing, transportation, insurance, delivery of furniture, loading and unloading on DOOR DELIVERY basis to the institute including its installation in individual rooms of the hostel, commissioning, integration and validation.**
- 11.3. Prices quoted by the Bidder shall be firm during the validity of the bid.

12. Bid Currency

- 12.1. Prices of indigenous furniture/items shall be quoted in Indian Rupees.
- 12.2. Prices of furniture/items originating in other countries shall be quoted in the currency of country of origin and the portion of allied work and services, which are to be undertaken in India,

are to be quoted in the Indian Currency. The comparison of financial bids would be done after converting the currency value in INR based on RBI rates applicable on the date of opening of the tender.

13. Conformity of the Tender Document

13.1. The Bidder shall furnish, as part of its bid, documents establishing the conformity of the furniture that the Bidder proposes to supply under the Contract to the requirements of the Purchaser, as given in the Tender Document.

13.2. The documentary evidence of conformity of the furniture to the Tender Document may be in the form of written descriptions supported by literature/diagrams/certifications, including:

- a. A detailed description of the essential technical, functional and performance characteristics of the furniture that the Bidder is proposing to supply;
- b. Technical details of the major subsystems/components of the furniture;

14. Earnest Money Deposit (EMD)

14.1. The Bidder shall furnish, as part of its bid, an **EMD @ 2%** on estimated value and that shall be interest free.

14.2. The firms who are registered with National Small Industries Corporation (NSIC) / or Small Scale Industrial (SSI)/ Micro & Small Enterprises (MSEs) are exempted to furnishing the EMD. Self-attested photocopy of valid registration certificate issued by competent authority for supply of laboratory furniture must be enclosed with the technical bid.

14.3. The EMD shall be in the form of a demand draft drawn in favour of **INDIAN INSTITUTE OF TECHNOLOGY PALAKKAD** and payable at **PALAKKAD**

14.4. Any bid not accompanied with the EMD shall be rejected by the Purchaser as non-responsive.

14.5. The successful bidder's bid security will be returned as promptly as possible, but not earlier than fifteen (15) days after the successful Bidder has furnished the required performance security.

14.6. The EMD may be forfeited under the following circumstances:

(a) If a Bidders:

(i) Withdraws its bid during the period of bid validity specified on the Bid Form or

(b) In the case of the successful Bidder, if the Bidder fails to:

(i) Sign the Contract or

(ii) Furnish performance security.

15. Period of Validity of Bids: Bids shall remain valid for a period of 180 days after the date of deadline for submission of bids prescribed by the Purchaser.

16. Deadline for Submission of Bids

16.1. Bids must be received by the Purchaser at the address specified not later than the time and date as stated. In case this date happens to be a declared holiday for the office of the Purchaser or happens to be a holiday declared incidentally, the Bids shall be received up to the appointed time on the next working day.

16.2. The Purchaser may, at its discretion, extend this deadline for submission of bids in which case all rights of the Purchaser and all obligations of the Bidders will thereafter be subject to the deadline as extended.

17. Late Bids: Any bid received by the Purchaser after the bid submission deadline prescribed by the Purchaser, shall be rejected and returned unopened to the Bidder.

18. Modification and Withdrawal of Bids

18.1. The Bidder may modify or withdraw the bid after submission, provided a written notice of the modification or withdrawal is received by the Purchaser prior to the deadline prescribed for bid submission.

18.2. The Bidder's modifications shall be prepared, sealed, marked and dispatched as follows:

(a) The Bidders shall provide the modification to its bid, clearly identified as such, in an envelope duly marked **BID MODIFICATION**.

18.3 A Bidder wishing to withdraw the bid shall notify the Purchaser in writing prior to the deadline prescribed for bid submission. The withdrawal notice shall:

(a) be addressed to the Purchaser at the specified address and

(b) bear the reference number and the title of the project, and the words **BID WITHDRAWAL NOTICE**. Bid withdrawal notices received after the bid submission deadline will be ignored and the bid submitted prior to that will be deemed to be a valid bid.

18.4 No Bid may be modified subsequent to the deadline for submission of Bids.

18.5 No bid may be withdrawn in the interval between the bid submission deadline and the expiration of the bid validity period. Withdrawal of a bid during this interval may result in the forfeiture of the Bidder's EMD.

19. Opening and Examination of Bids

19.1. The Technical bids will be opened on the prescribed date and time as mentioned in the Bid document. Bidders or their representative may be present during the opening of technical bid, if they wish to be present.

19.2. The purchaser will evaluate the technical bids. Those bids, whose technical bids fulfill the technical requirements and responsive to the tender requirements will be considered. Those bids which found to be either non-responsive, not satisfying the technical requirements or both will not be considered and will be rejected.

19.3. The Price bids of the successful bidders on the basis of evaluation as mentioned in will be considered for the next stage for opening.

19.4. The Purchaser will examine the bids to determine whether they are complete, whether any computational errors have been made, whether required security has been furnished, whether the documents have been properly signed and whether the bids are generally in order.

19.5. Arithmetical errors will be rectified on the following basis. If there is a discrepancy between the unit price and the total price, which is obtained by multiplying the unit price and quantity, or between subtotals and the total price, *the unit or subtotal price shall prevail* and the total price shall be corrected. If there is a discrepancy between words and figures, *the amount in words shall prevail*. If a Bidder does not accept the correction of errors, the bid will be rejected and its EMD may be forfeited.

19.6. The Purchaser may waive any minor nonconformity or irregularity in a bid that does not constitute a material deviation, provided such waiver does not prejudice or affect the relative ranking of any Bidder.

19.7. Prior to the detailed evaluation, the Purchaser will determine whether each bid is complete and is substantially responsive to the Tender Document. For purposes of this determination, a substantially responsive bid is one that conforms to all the terms, conditions and specifications of the Tender Document without material deviations, exceptions, objections, conditionality or reservations. A material deviation, exception, objection, conditionality, or reservation is:

(a) One that limits in any substantial way the scope, quality, or performance of the furniture;

OR

(b) One that limits, in any substantial way that is inconsistent with the Tender Document, the Purchaser's rights or the successful Bidder's obligations under the Contract: and

(c) One that the acceptance of which would unfairly affect the competitive position of other Bidders who have submitted substantially responsive bids.

19.8. If a bid is not substantially responsive, it shall be rejected by the Purchaser and may not subsequently be made responsive by the Bidder by correction of the nonconformity.

The Purchaser's determination of bid responsiveness will be based on the contents of the bid itself and any written clarifications submitted by the Bidder.

20. Clarification of Bids: During the bid evaluation, the Purchaser may, at its discretion, ask the Bidder for a clarification of its bid. The request for clarification and the response shall be in writing, and no change in the price or substance of the bid shall be sought, offered or permitted.

21. Evaluation of Responsive Bids: The Purchaser will evaluate the bids that have been determined to be substantially responsive.

22. Contacting the Purchaser

22.1. From the time of bid opening to the time of Contract award, if any Bidder wishes to contact the Purchaser on any matter related to the bid, it shall do so in writing.

22.2. If a Bidder tries to directly influence the Purchaser or otherwise interfere in the bid evaluation process and the Contract award decision, his bid shall be rejected.

23. Award Criteria

23.1 Purchaser will award the Contract to the Bidder whose bid has been determined to be substantially responsive and the Lowest Quote Evaluated Bid.

23.2 The Institute reserves the right to buy different items/quantity from different bidders considering price of individual/group of furniture or any other factors as decided by the Committee.

24. Purchaser's Right to Accept/Reject/Modify Bids

24.1. The Purchaser reserves the right to accept or reject any bid or to annul the bidding process and reject all bids at any time prior to Contract award, without thereby incurring any liability to the Bidders.

24.2. The Purchaser reserves the right to negotiate with the Bidder having the Lowest Evaluated Bid.

25. Award of Purchase Order

25.1. Prior to the expiration of the period of bid validity, the Purchaser will issue the Letter of Intent / Purchase Order to the successful Bidder in writing.

25.2. The Purchase Order will constitute the foundation of the Contract.

25.3. Upon the successful Bidder's furnishing of the copy of the Purchase Order duly signed on each page and the Performance Security, for the furnitures ordered in foreign currency, the Purchaser will open a letter of credit (LC) in a convenient Nationalized Bank in India. For opening of LC necessary arrangements shall be provided by the supplier or its authorized agents.

26. Contract Agreement

26.1. Within fifteen (15) days of receipt of the Purchase Order, the successful Bidder shall sign and date its copy on each page and return it to the Purchaser, along with the Performance Security.

26.2. Copy of Purchase Order duly signed and dated by the successful Bidder on each page shall constitute the Contract Agreement.

27. Performance Security

27.1. Within fifteen (15) days of receipt of notification of award from the Purchaser, the successful Bidder shall furnish the performance security equal to 5% of the Contract value (excluding the value of annual maintenance charges). **The Performance Security will be valid all along the warranty period and shall extend upto sixty (60) days after the date of completion of warranty period.**

27.2. The security shall be in one of the following forms:

- (a) A bank guarantee (in the format as provided in **Annexure-V** of the bidding documents) issued by the Indian Scheduled bank acceptable to the Purchaser.
- (b) A Demand Draft favouring, **INDIAN INSTITUTE OF TECHNOLOGY PALAKKAD** payable at PALAKKAD.

27.3. The security shall automatically become null and void once all the obligations of the Supplier under the Contract have been fulfilled, including, but not limited to, any obligations during the Warranty Period and any extensions to the period. The security shall be returned to the Supplier not later than fifteen (15) days after its expiration.

27.4. Failure of the successful Bidder to comply with the requirements shall constitute sufficient grounds for the annulment of the award and forfeiture of the EMD, in which event the Purchaser may make the award to the next lowest evaluated bid submitted by a qualified Bidder or call for new bids.

28. Contract Documents

28.1. All documents forming part of the Contract (and all parts of these documents) are intended to be correlative, complementary and mutually explanatory. The Contract shall be read as a whole.

28.2. The order of precedence of the Contract documents will be as follows:

- (i) Contract Agreement
- (ii) All other Forms
- (iii) Furniture and their Requirements
- (iv) Supplier's Bid
- (v) Tender Document

29. Amendment to Contract: No amendment or other variation of the Contract shall be effective unless it is in writing, is dated, expressly refers to the Contract and is signed by a duly authorized representative of each party to the Contract.

30. Supplier's Responsibilities

30.1 The Supplier's obligations involve:

- (a) Supply of furniture/items given in Tender Document.
- (b) Making operational the furniture supplied (installation, commissioning & validation).
- (c) Development of test methods & applications.
- (d) Training, at the cost of Supplier, of personnel in operation, day-to-day maintenance and troubleshooting of the furniture.
- (e) Supply of Material (instruction/operation/service/maintenance manuals including drawings & circuit diagrams and application notes), Calibration Certificates (where applicable, traceable to national/international standards) and any other documents specified in the Contract.

30.2. The Supplier shall, unless specifically excluded in the Contract, perform all such work and/or supply all such items, services and materials not specifically mentioned in the Contract but that can be reasonably inferred from the Contract as being required for installation & commissioning,

integration & validation of furniture as if such work and/or items and Materials were expressly mentioned in the Contract.

30.3. The Supplier shall comply with all laws in force in India. The laws will include all national, provincial, municipal or other laws that affect the performance of the Contract and are binding upon the Supplier. The Supplier shall indemnify and hold harmless, the Purchaser from and against any and all liabilities, damages, claims, fines, penalties and expenses of whatever nature arising or resulting from the violation of such laws by the Supplier.

31. Time for Supply, Installation, Commissioning and Validation of the furniture

31.1 The Supplier shall supply the furniture within the period specified in the tender document i.e. within **FOUR TO SIX WEEKS** of signing the purchase order or within the period mutually agreed between purchaser and supplier.

31.2 The Supplier shall thereafter proceed with the installation & commissioning, integration and validation and demonstrate operational acceptance of the furniture within the period specified, unless it is mutually agreed.

32. Terms of Payment

32.1. For **indigenous furniture**, 90% payment will be released after satisfactory delivery, installation of the furniture and remaining 10% will be released on submission of a Bank Guarantee for equivalent value (5%) as performance security to cover the warranty period and installation, testing, commissioning and certification by the end user.

32.2. For **imported furniture**, normally a letter of Credit will be opened for 100% CIP price on receipt of order of acknowledgement. However, 50% of the LC amount **only** will be paid on proof of the shipment of the consignment with necessary documents to be detailed at the time of placing of the purchase order. Balance of 50% of the LC amount shall be released after receipt of a performance bond of 5% of the total contract/purchase value in the form of bank guarantee covering the warranty period, obtained from a bank which has its office in India & Installation, testing and commissioning and certification by the end user.

32.3. For furniture ordered in foreign currency, opening of LC, Payment of Customs Duty and clearance of goods shall be done/assisted by the supplier or its authorized Indian agent. The custom duty as applicable after considering eligible concessions based on DSIR exemption etc will only be paid by the purchaser. The Institute can provide the copy of the DSIR customs and excise duty exemption certificate upon request.

32.4. Payment for annual maintenance contract after the warranty period shall be released at the end of six month/1 year after the expiry of warranty period, subject to Government of India norms.

32.5. If any time before the delivery of the furniture, it is found that the same furniture have been offered to another party in India at a lower rate, payment shall be restricted to the extent of such lower rate and the Supplier shall be liable to pay the Purchaser the difference in two rates i.e. excess charged over such lower rate, if payment had been made by the purchaser. The Institute will look into a reasonable past period to ensure this.

33. Taxes and Duties: The Supplier should ensure payment of all taxes, duties, levies and charges assessed by all municipal, state or national government authorities, in connection with the Goods and Services supplied under the Contract.

34. Maintenance during warranty period: The supplier shall continue to support and maintain the furniture supplied by carrying out maintenance or minor repairs at the premises of the purchaser at the free of cost, during the warranty period.

35. Penalties

35.1. If the Supplier fails to complete any of the activities in accordance with the time specified for it, or any extension of the time granted by the Purchaser, the Supplier shall pay to the Purchaser penalties at the rate specified in the Tender document.

35.2. The Purchaser reserves the right to terminate the contract if the Supplier defaults on any of the time limits by more than **FOUR** weeks

36. Defect Liability

36.1. The Supplier warrants that the furniture, including all subassemblies and components provided, shall be free from defects in the design, engineering/manufacturing, workmanship and performance that prevent the furniture and/or any of its subassemblies and components from fulfilling the furniture Requirements or that limit in a material fashion the operation, reliability, accuracy, sensitivity and precision of the furniture, its reassemblies and components. Commercial warranty provisions of products supplied under the Contract shall apply to the extent that they do not conflict with the provisions of this Contract.

36.2. The Warranty Period shall commence from the date of validation/installation/commissioning of the furniture and shall extend for the length of time specified in the tender document supra.

36.3. If during the Warranty Period any defect found in the furniture, the Supplier shall promptly, at its sole cost, repair or otherwise make good such defect as well as any damage to the furniture caused by such defect. Any defective furniture, Subassembly or component that has been replaced by the Supplier shall become the property of the Supplier and the new substituted/replaced furniture in good condition shall become the property of the purchaser.

36.4. Validation of the furniture shall be carried out by the Supplier each time a major repair is carried out in the furniture during the warranty period.

36.5. Response time for attending to defects shall be 24 - 48 hours after they are reported to the Supplier or its designated service agent. If the furniture cannot be used for more than TWO working days by reason of such defect and/or making good of such defect, the warranty period for the furniture shall be extended by a period equal to the period during which the furniture could not be used by the Purchaser because of such defect and/or making good of such defect.

37. Intellectual Property Rights Warranty and Indemnity

37.1. The Supplier hereby represents and warrants that the furniture as supplied, installed & commissioned and other documents provided to the Purchaser in accordance with the Contract does not and will not infringe any Intellectual Property Rights held by any third party.

37.2. The Supplier shall indemnify and hold harmless the Purchaser from and against any and all losses, liabilities and costs (including losses, liabilities and costs incurred in defending a claim alleging such a liability), that the Purchaser may suffer as a result of any infringement or alleged infringement of any Intellectual Property Rights.

38. Effect of Force Majeure

38.1. If the Supplier is prevented, hindered, or delayed from or in performing any of its obligations under the Contract by an event of Force Majeure, then it shall notify the Purchaser in writing of the occurrence of such event and the circumstances of the event of Force Majeure within fifteen (15) days after the occurrence of such event.

38.2. The Supplier, when affected by the event of Force Majeure shall use reasonable efforts to mitigate the effect of the event of Force Majeure upon its performance of the Contract and to

fulfill its obligations under the Contract, but without prejudice to Purchaser's right to terminate the Contract.

38.3. No delay or non-performance by the Supplier caused by the occurrence of any event of Force Majeure shall:

- (a) Constitute a default or breach of the Contract;
- (b) Give rise to any claim for damages or additional cost or expense occasioned by the delay or non-performance.

38.4. If the performance of the Contract is substantially prevented, hindered, or delayed for a single period of more than THIRTY days or an aggregate period of more than sixty days on account of one or more events of Force Majeure, the Purchaser shall have the right to terminate the Contract by giving a notice to the Supplier.

39. Extension of Time Limits for supply & making operational the furniture

The time limit for supply, installation & commissioning, integration & validation shall be extended if the Supplier is delayed or impeded in the performance of any of its obligations under the Contract by reason of any of the following:

- (a) Any occurrence of Force Majeure;
- (b) Any other matter specifically mentioned in the Contract;

By such period as shall be fair and reasonable in all the circumstances and as shall fairly reflect the delay or impediment sustained by the Supplier.

40. Assignment: The Supplier shall not, without the prior written consent of the Purchaser, assign to any third party, the Contract or any part thereof.

41. Governing Law: The Contract shall be governed by and interpreted in accordance with the laws of India.

42. Settlement of Disputes : Any dispute or claim arising out of/relating to this Contract or the breach, termination or the invalidity thereof, shall be settled by the Hon'ble Courts of Justice at Palakkad.

43. The page number should be marked in all pages serially (including all supporting documents enclosed with the tender document) and the declaration for the same shall be submitted by the bidder as **Annexure-VI**

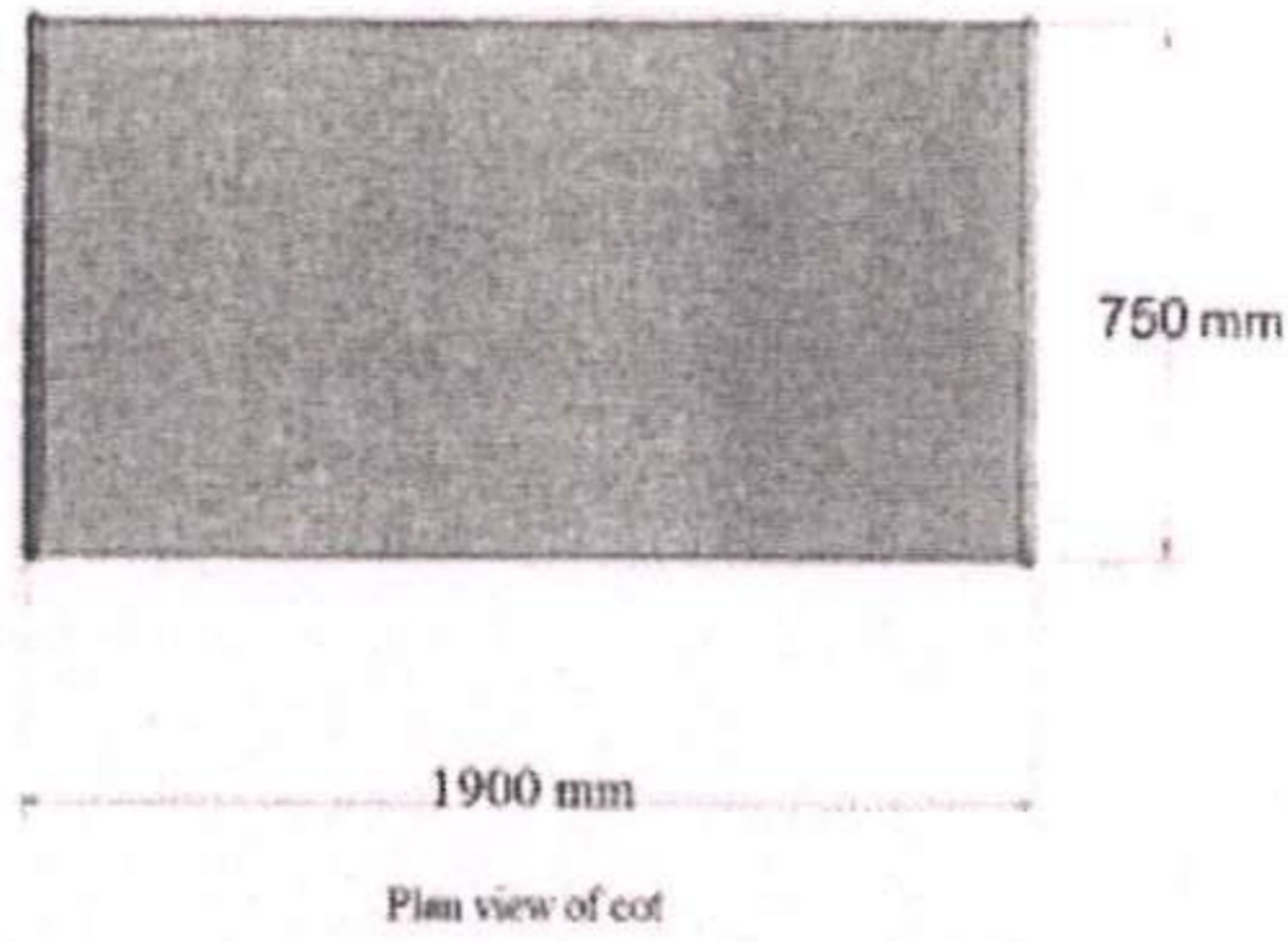
44. Indian Institute of Technology Palakkad reserves the right to accept or reject any or all the tenders in part or whole or may cancel the tender at its sole discretion without assigning any reason whatsoever. No further correspondence in this regard will be entertained.

TECHNICAL SPECIFICATIONS

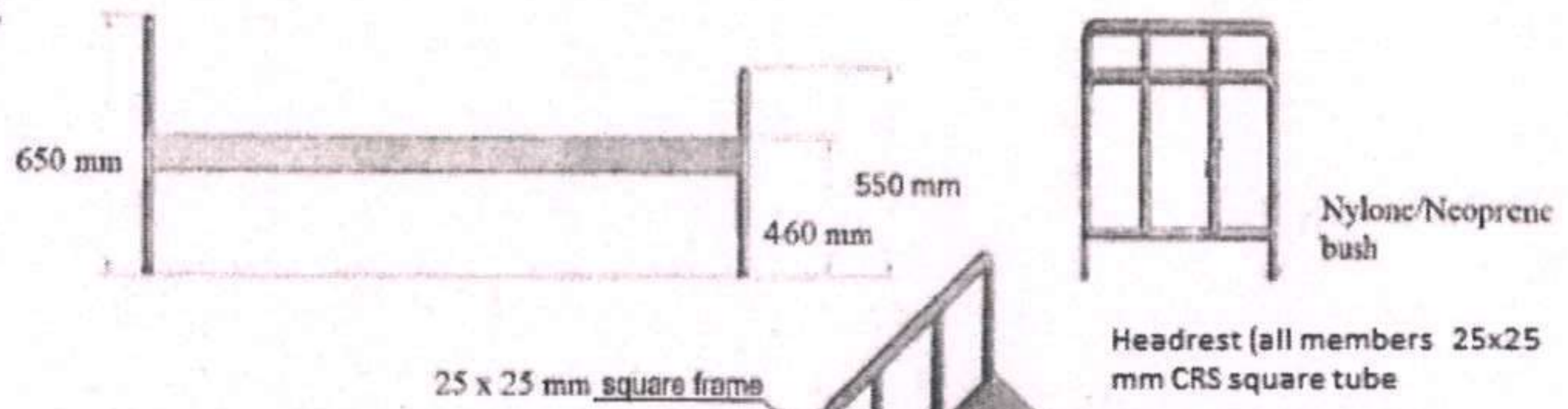
Steel Single Cot -1900mm x 750mm x 460 mm high (height shall be measured from top of bush) (as per drawing attached)

- The top horizontal platform shall be made out of 14G CRS sheet powder coated having minimum 60 micron thickness with edge of the platform having 50 mm depth and bent to shape around as per drawing
- The rigid steel frame should be perfectly fixed/welded to the horizontal platform.
- All the welding should be done using electro-welding process only.
- The overall weight of the cot should not be less than 40 kg.
- The horizontal base should be stiffened with appropriate longitudinal stiffeners made of 18 gauge CRS sheet (minimum 3 "V-Shape sheet") using arc welding technique & stiffened with lateral stiffeners using 25 mm x 25 mm MS powder coated (minimum 2 steel pipes) to be provided at bottom of the horizontal platform of the cot.
- All steel components need to be given acid wash, of anticorrosive treatment prior to powder coating. The steel components such as tubular section ,platform etc should be of reputed manufacturers T.I, Tata and Apollo.
- All steel components should be powder coated with minimum 60 micron thickness
- All bushes/levellers of high quality nylon or other appropriate material with high impact & vibration resistance.
- The specifications of materials used should be provided as per drawing. Better value elements can be added to the furniture sample, if appropriate.
- Provide removable type 'T' shaped mosquito net frame of 1200 mm height made out 15 mm dia steel tubes powder coated with minimum 60 micron compatible to cot dimension, as shown in diagram

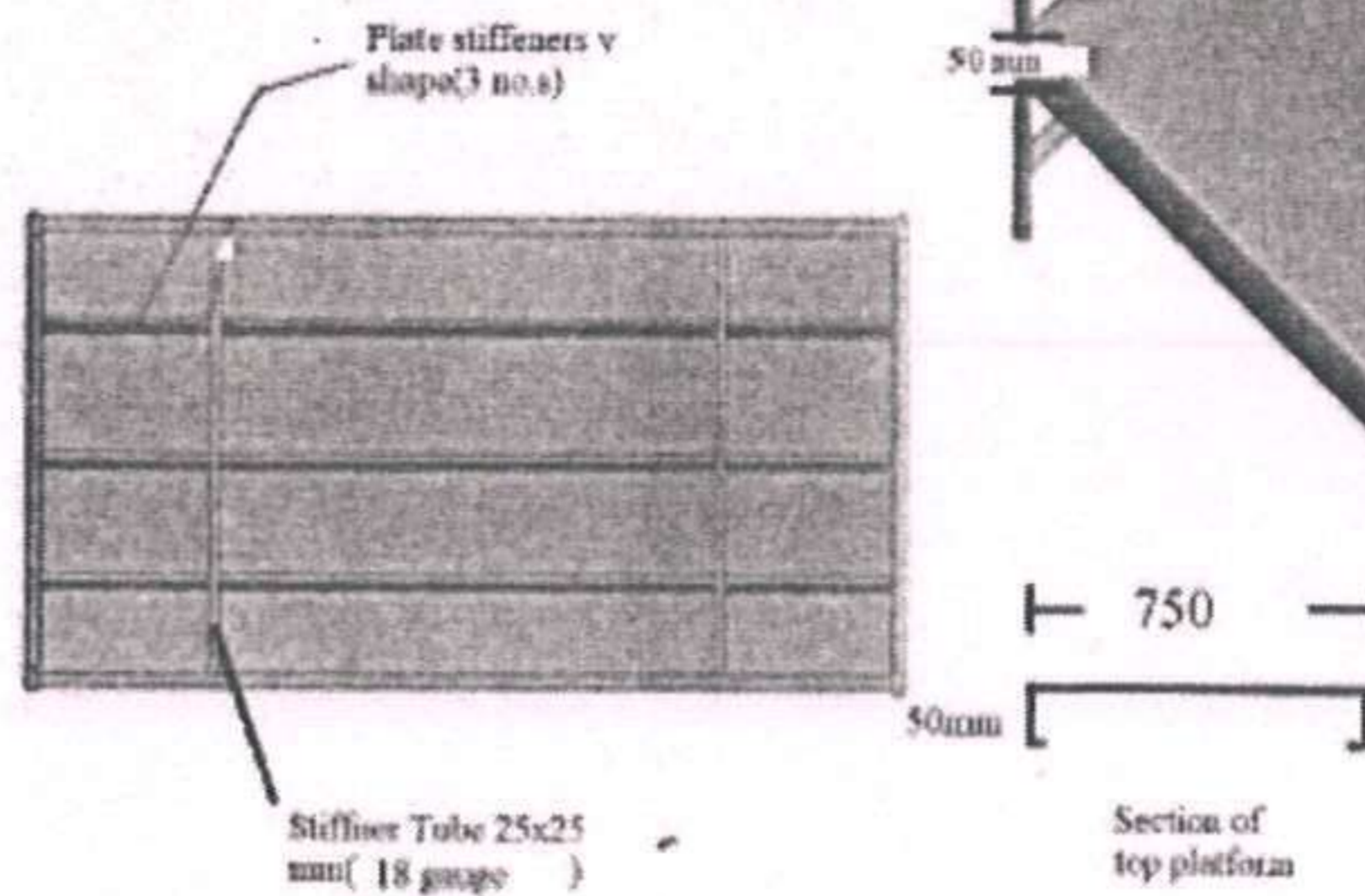
PLAN



SIDE

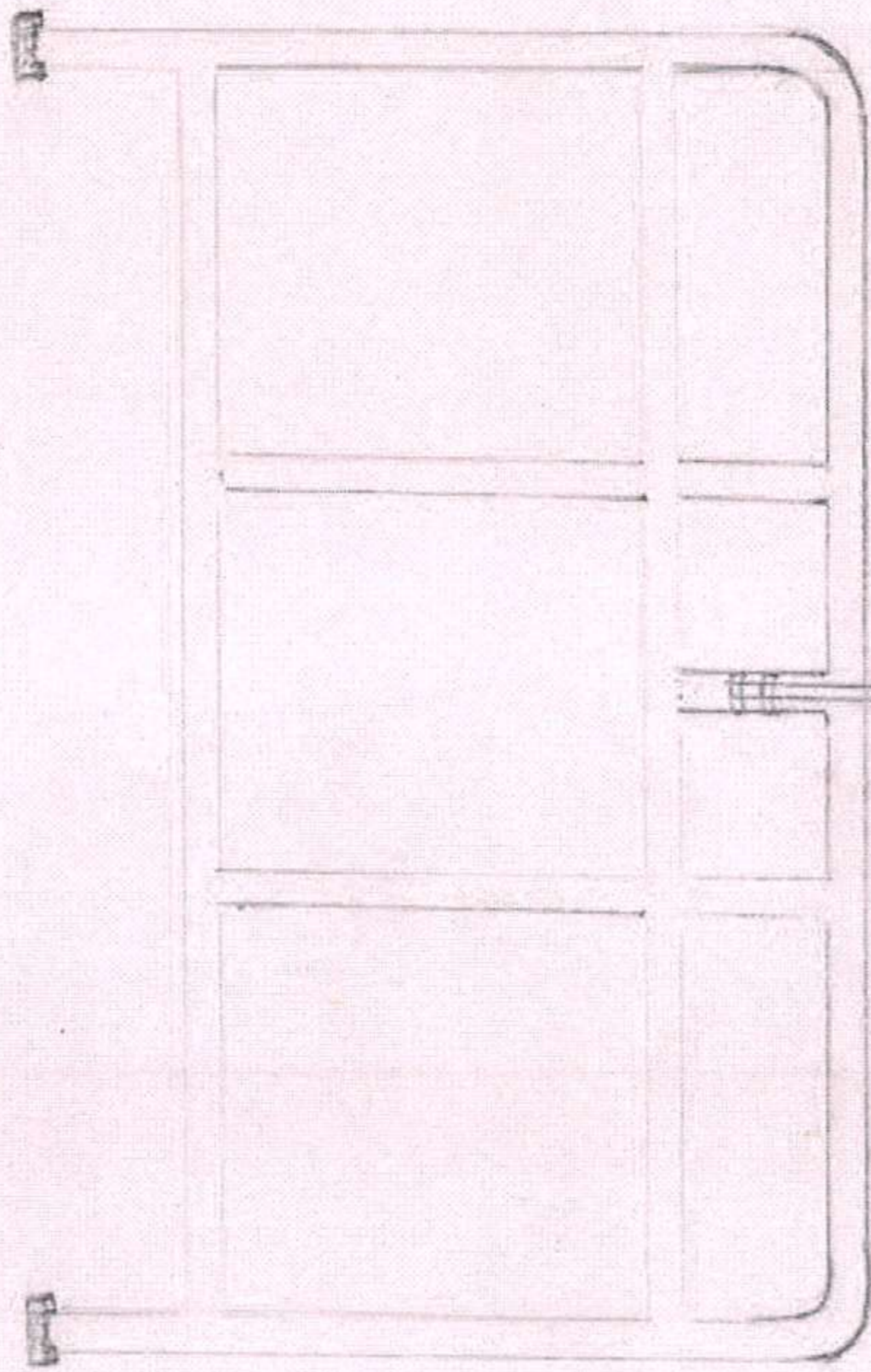


BOTTOM



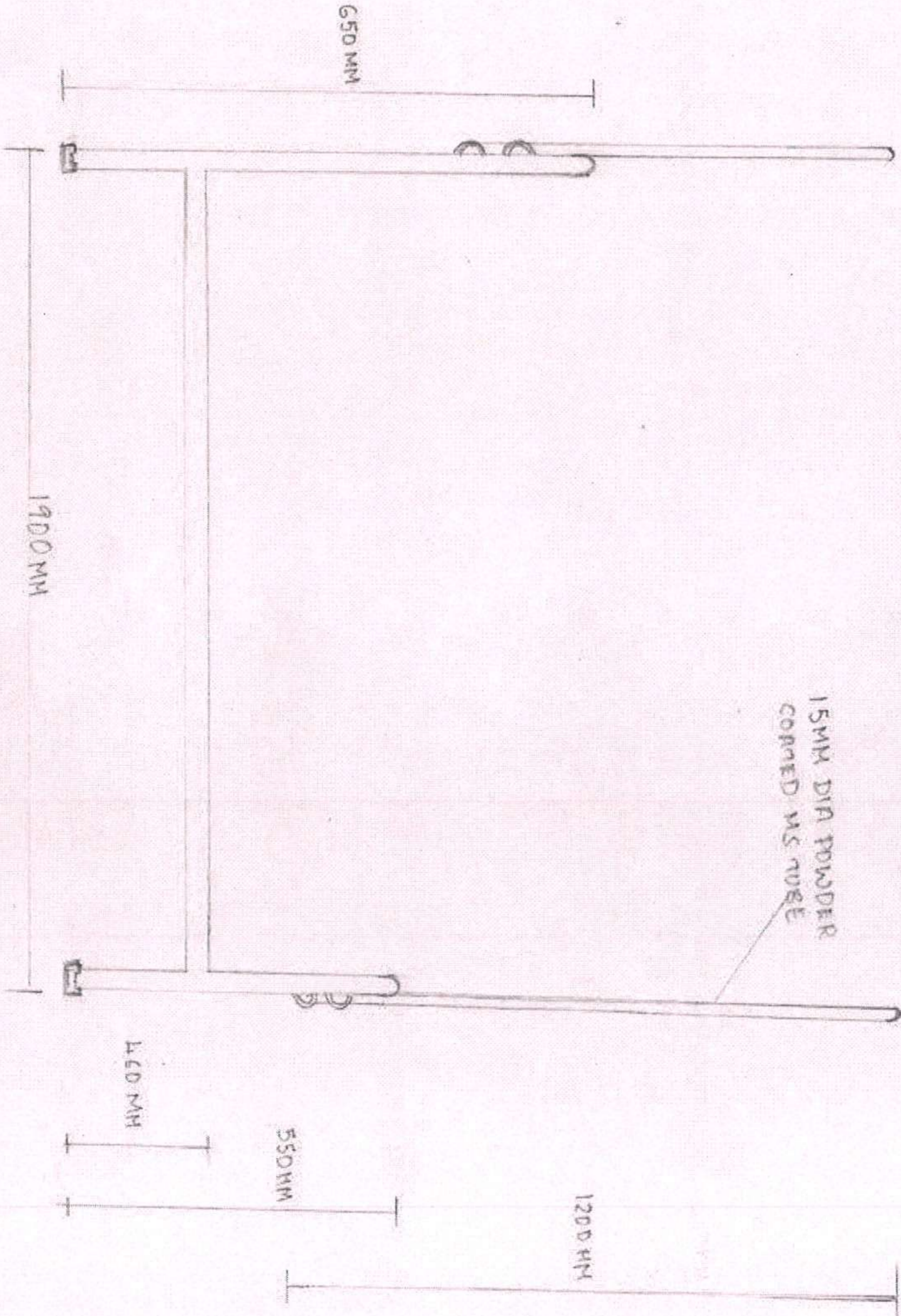
Details of single cot

FRONT ELEVATION



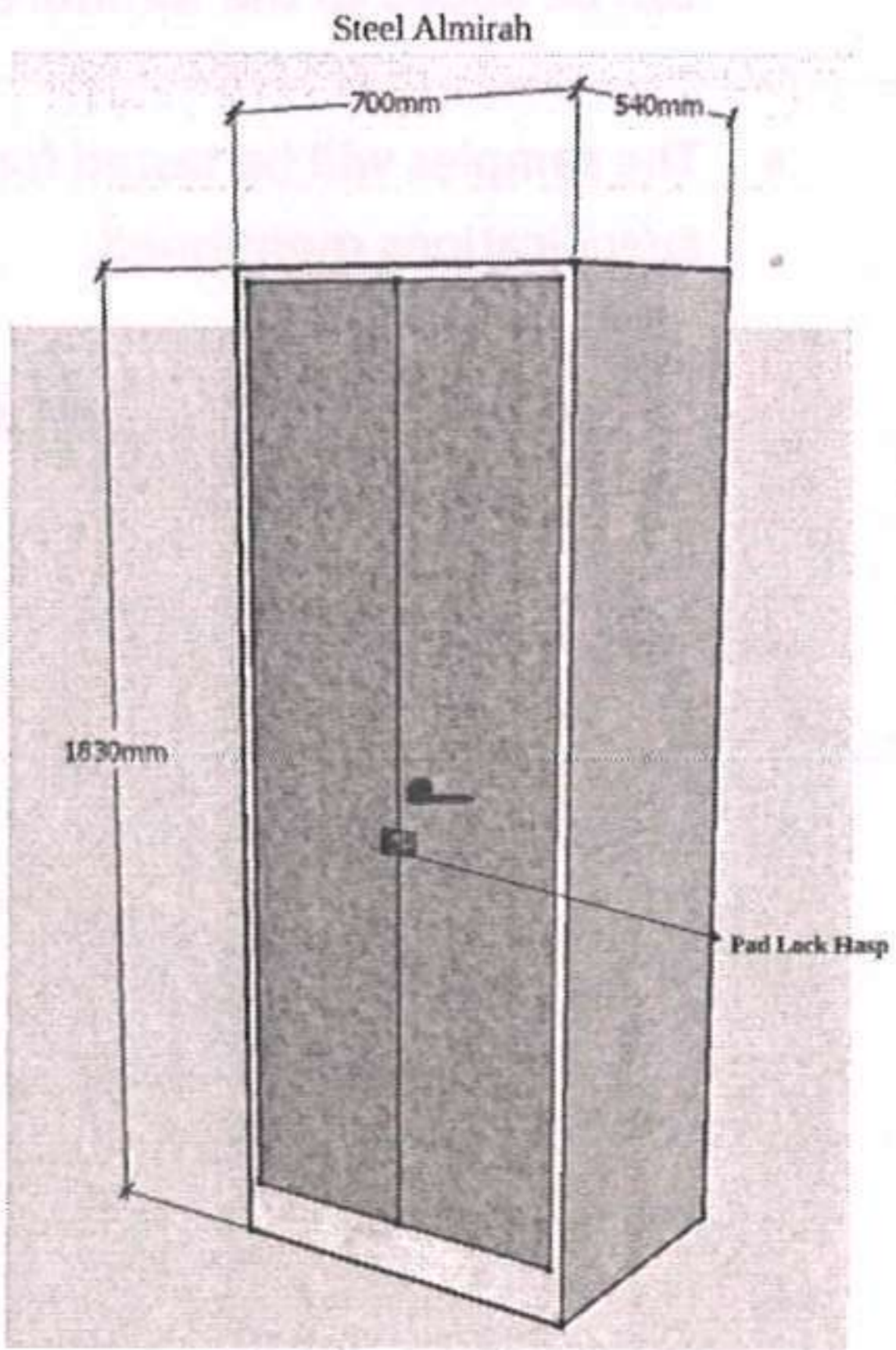
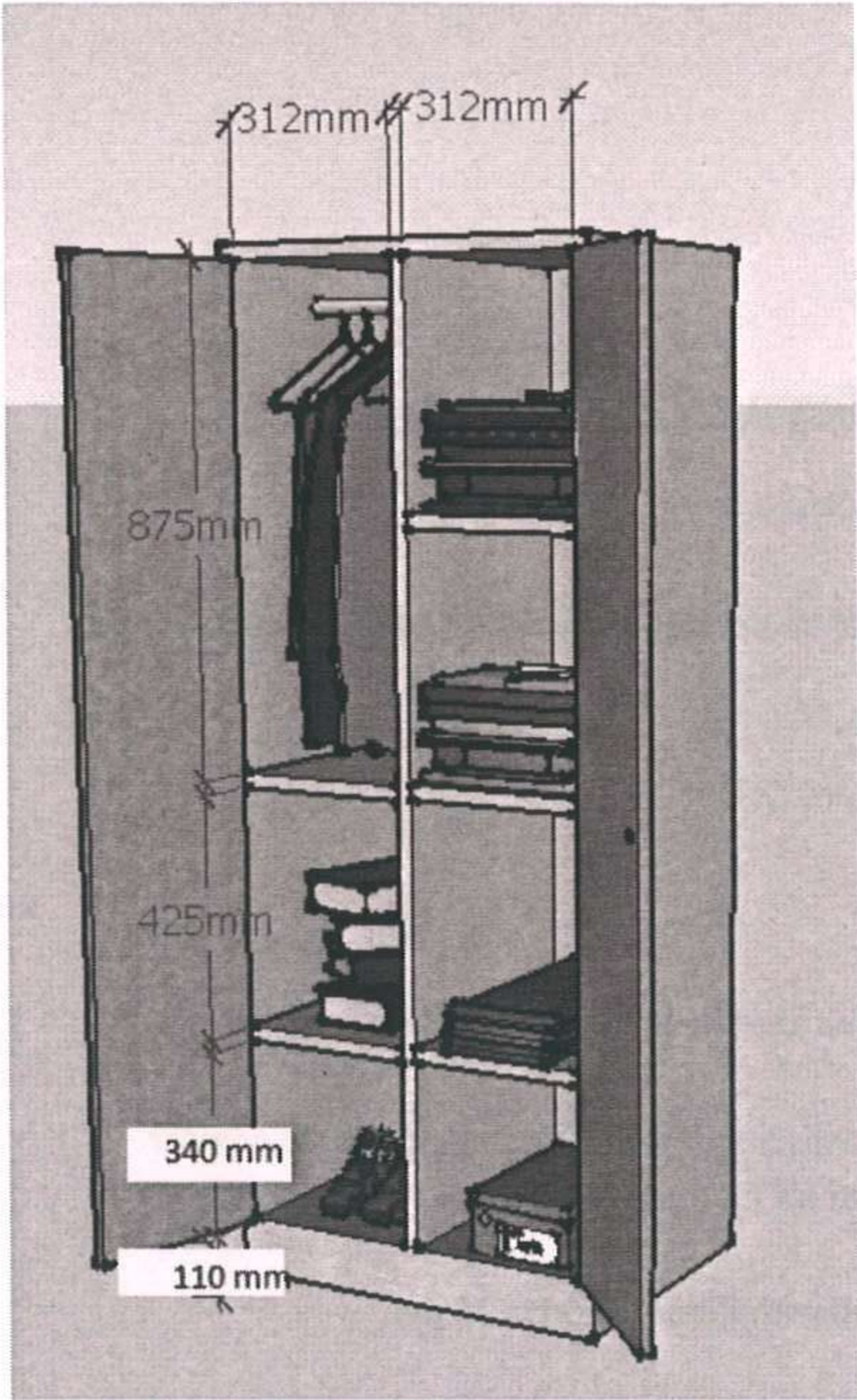
650 MM

SIDE ELEVATION



Steel Almirah - 700mm x 540mm x 1830mm (as per drawing attached)

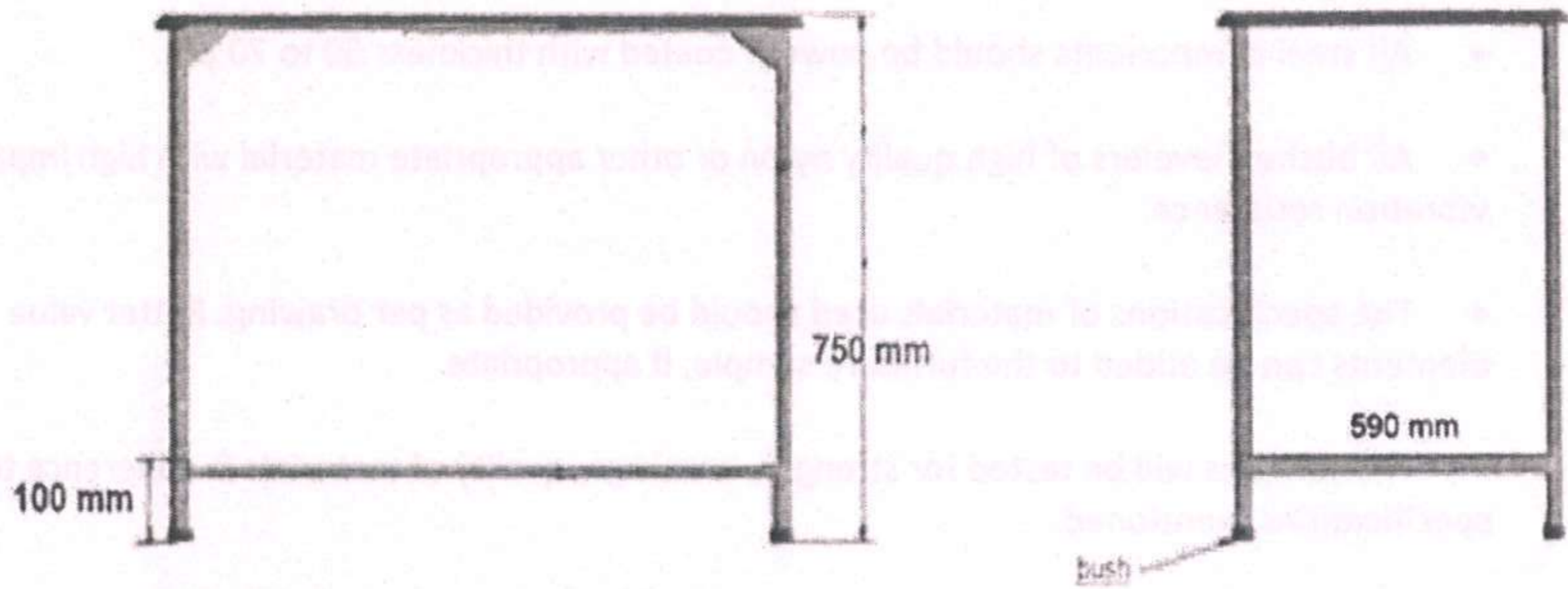
- Full steel body Almirah with sheet thickness 20 gauge thickness CRCA steel sheets for body as 18 gauge thickness for door.
- Each unit will have 7 compartments with 5 shelves of 18 gauge thickness sheet and one number 18 mm dia powder coated steel hanger rod .
- Quality pad lock system with appropriate strong handles.
- Pedestal 110 mm height made of 20 gauge CR steel sheet.
- All steel components need to be given acid wash, anticorrosive treatment prior to powder coating. Companies for steel components must be T.I, Tata and Apollo.
- All steel components should be powder coated with minimum thickness 60 micron and should Scratch Resistant Powder Coated.
- Mill certificates for steel items are required to be produced.
- The specifications of materials used should be provided as per drawing. Better value elements can be added to the furniture sample, if appropriate.



Study Table - 900mm x 590mm x 750mm (as per drawing)

- 1" Square CR pipe metal frame work 18 G thickness.
- The table top is to be made from high density compressed wood with smooth polished side on top & post-form shape on all 4 sides.
- Laminated top of 0.7 mm thickness in Mahogany Colour
- A leg rest needs to be provided in steel.
- The thickness of high density compressed wood shall be 0.75 inches(19mm).
- All steel components need to be given acid wash, anticorrosive treatment prior to powder coating. Companies for steel components must be T.I, Tata and Apollo.
- All steel components should be powder coated with thickness 60 to 70 μm .
- All bushes/levellers of high quality nylon or other appropriate material with high impact & vibration resistance.
- The specifications of materials used should be provided as per drawing. Better value elements can be added to the furniture sample, if appropriate.
- The samples will be tested for strength, breakage, quality of materials & adherence to specifications mentioned.

STUDY TABLE



Metal Perforated Chair without arm (as per photo)

- Steel frame around including leg, seat and back rest with 1" round CR pipe of thickness 16G.
- The seat & back rest should be made from perforated steel sheet with thickness 18G and fixed to the tubular frame work.
- The perforated seat should have curvature for better comfort.
- All steel components need to be given acid wash, anticorrosive treatment prior to powder coating. Companies for steel components must be T.I, Tata and Apollo.
- All steel components should be powder coated with thickness 60 to 70 μm .
- All bushes/levelers of high quality nylon or other appropriate material with high impact & vibration resistance.
- The specifications of materials used should be provided as per drawing. Better value elements can be added to the furniture sample, if appropriate.
- The samples will be tested for strength, breakage, quality of materials & adherence to specifications mentioned.

Metal perforated chair



Annexure - II
Technical Bid

(To be enclosed in a separate sealed cover)

| Company Profile | |
|--|--|
| Name | |
| Address of the registered office | |
| Name & Designation of CEO | |
| Nature of Business Email ID & Contact numbers of CEO | |
| Years of operations in India Years of Established | |
| Location of offices in India | |
| Alliances for the purpose of this Bid | |
| Details of alliance(s) | |
| Type of alliance(s) | |
| Experience/Credentials | |
| Number of similar units installed in India | |
| Number of similar units installed in Karnataka/Tamil Nadu/ Telangana/Andhra Pradesh or Kerala or any other nearby city/town | |
| *List of satisfied customers in India | |
| Service Support in India | |
| Track record of service provided to clients with supporting documents for past three years | |
| Location of service centers | |
| Number of trained service engineers | |
| Number of trained service engineers exclusively dedicated to each furniture offered | |
| Number of trained service engineers for the furniture offered stationed in Karnataka/Tamil Nadu/ Telangana/Andhra Pradesh or Kerala. | |
| Number of application specialists | |
| Whether the OEM makes available any service support in India | |
| Availability of spares in India | |
| Whether the service set up maintains stock of essential spares in India | |
| Lead time for supply of essential spares | |

***Testimonials from three satisfied customers may be attached**

Compliance Statement to specifications of the furniture to be provided by the tenderer as in Annexure-IV.

Quoted model shall be in accordance to the geographical location.

Signature _____

Name _____

Designation _____

Date: _____ Place: _____

Seal of Company _____

Signature and seal of the bidder

Other Details:

Name and Address of the bidder

Note: All the following details shall relate to the vendor for the items quoted for

1. Name of the Bidder

- a. Full postal address
- b. Full address of the premises
- c. Telegraphic address
- d. Telex number
- e. Telephone number
- f. Fax number
- g. Type of firm: Propriety/ Private/ Private Ltd/ MNC/ Cooperative /Govt. undertaking
- h. Name of the proprietor /Partners
- i. Firm Registration No.
- j. Year of starting of manufacturing
- k. PAN Number
- l. TIN Number
- m. GST Number
- n. Current Account Details

2. EMD of 2% of estimated value DD No. Date :

Note: Please mention DD No and date alone. Amount should not be revealed here. Revealing the value of EMD will lead to disqualification of bid.

3. Total Annual Turn-over (value in Rupees) (2015-2016, 2016-2017 and 2017-2018)
(Certified proof from competent authority to be attached)

4. Has the firm ever been debarred/blacklisted by any Govt. Organization/Dept.? If 'yes' the details thereof.
The terms and condition or acceptable to me/us.

Signature and seal of the bidder

Annexure-III
Commercial Bid

(To be enclosed in separate sealed cover)

1. The price of the Lab furniture in the Annexure- I is to be given individually in the format mentioned below:

| Sl. No. | Description of Item | Quantity | Unit Price (Rs) | Total Price (Duties and taxes must be mentioned separately) |
|--------------------|--|----------|-----------------|--|
| 1. | Steel Single Cot -1900mm x 750mm x 500mm | 240 Nos. | | |
| 2. | Steel Almirah - 700mm x 540mm x 1830mm | 240 Nos. | | |
| 3. | Study Table - 900mm x 590mm x 750mm | 240 Nos. | | |
| 4. | Metal Perforated Chair without arm | 240 Nos. | | |
| Total | | | | |
| GST @ 18% | | | | |
| Grand Total | | | | |

Note :

2. Maximum educational discount as could be offered should be mentioned.

3. Price quoted for furniture must include all costs associated with packing, transportation, transit insurance, delivery of furniture, loading and unloading on DOOR DELIVERY basis to the Transit Campus of IIT Palakkad including installation, commissioning, integration and validation. Duties and Taxes must be mentioned separately.

Signature and seal of the bidder

ANNEXURE IV : COMPLIANCE STATEMENT OF SPECIFICATIONS

Instructions for filling the Compliance Statement of Specification

The vendor should prepare, sign and submit the Compliance Statement of Specification in the given format along with the technical bid.

submit separate Compliance Statement of Specification sheets for each item/ furniture.

Ensure that the component number and heading in the Technical Specifications is clearly mentioned in the document. If there are any deviations from the specifications mentioned by IIT Palakkad, the vendor should clearly indicate the deviations and give reasons for the deviation with proper justification.

Technical leaflet/literature/catalogue or any relevant document for all the quoted furniture should be provided to IIT Palakkad. The information provided in the compliance statement without supporting documents may not be considered for the evaluation of the technical bid.

If the supporting documents are not available for any information provided in the compliance sheet, it may be treated as non-compliance and may lead to the disqualification of the technical bid.

The vendor should clearly respond to every requirement given in the technical specification. Lack of clarity may be considered as lack of information and may subsequently lead to disqualification of the technical bid.

| Item No. | IIT Palakkad's technical specification of components as given in Annexure II | Specifications of model quoted by the vendor | Vendor's specification complies with IIT Palakkad's technical specification? (YES/ NO) | Deviation, if any, to be indicated in unambiguous terms | Page no. of relevant specification for the quoted model in the technical manual/leaflet |
|----------|--|--|--|---|---|
| | | | | | |

FORM OF PERFORMANCE SECURITY (GUARANTEE) BY BANK

1. This deed of Guarantee made this day of _____ between Bank of _____ (hereinafter called the "Bank") of the one part, and Indian Institute of Technology Palakkad (hereinafter called "the Purchaser") of the other part.
2. Whereas the Purchaser has awarded the contract for Supply, Installation, Commissioning, Integration and Validation of _____ (name of the furniture) (hereinafter called the contract) to _____ (hereinafter called the Supplier); (Name of the Supplier)
3. AND WHEREAS the Supplier is bound by the said Contract to submit to the Purchaser a Performance Security for a total amount of Rs. _____ (Amount in figures and words).
4. Now, I/we the undersigned, being fully authorized to sign and to incur obligations for and on behalf of and in the name of _____ (Full name of Bank), hereby declare that the said Bank will guarantee the Purchaser the full amount of Rs. _____ (Amount in figures and words) as stated above.
5. After the Supplier has signed the aforementioned Contract with the Purchaser, the Bank is engaged to pay the Purchaser, any amount up to and inclusive of the aforementioned full amount upon written order from the Purchaser to indemnify the Purchaser for any liability of damage resulting from any defects or shortcomings of the Supplier under the Contract mentioned above, whether these defects or shortcomings are actual or estimated. The Bank will deliver the money required by the Purchaser immediately on demand without delay without reference to the Supplier and without the necessity of a previous notice or of judicial or administrative procedures and without it being necessary to prove to the Bank the liability or damages resulting from any defects or shortcomings of the Supplier. The Bank shall pay to the Purchaser any money so demanded notwithstanding any dispute/disputes raised by the Supplier in any suit or proceedings pending before any Court relating thereto and the liability under this guarantee shall be absolute and unequivocal.
6. This Guarantee is valid for a period of thirty six months from the date of signing. (Initial period for which this Guarantee will be valid must be for at least thirty (30) days longer than the anticipated expiry date of warranty period).
7. At any time during the period in which this Guarantee is still valid, if the Purchaser agrees to grant a time extension to the Supplier or if the Supplier fails to complete the work within the time of completion as stated in the Contract, or fails to discharge himself of the liability or damages as stated under Para 5 above, the Bank shall extend this Guarantee under the same conditions for the required time on demand by the Purchaser and at the cost of the Supplier.
8. The Guarantee herein before contained shall not be affected by any change in the Constitution of the Bank or of the Supplier.

9. The neglect or forbearance of the Purchaser in enforcement of payment of any moneys, the payment whereof is intended to be hereby secured or the giving of time by the Purchaser for the payment hereof shall in no way relieve the bank of its liability under this deed.
10. The expressions "the Purchaser", "the Bank" and "the Supplier" herein before used shall include their respective successors and assigns.

In witness whereof I/We of the bank have signed and sealed this guarantee on the _____ day of _____ (Month & Year) being herewith duly authorized.

For and on behalf of the _____ Bank.

Signature of Authority

Bank official Name: Designation:

Stamp/Seal of the Bank:

Signed, sealed and delivered for and on behalf of the Bank by the above named _____ in the presence of:

Witness 1

Signature

Name

Address

Witness 2

Signature

Name

Address

Declaration

We hereby undertake that there are _____ pages, serially numbered, in the submitted tender including the supporting documents. (Please serially number all the pages including blank page, if any).

We have submitted our principal's exclusive authorization letter which is specific for this tender No. _____ dated _____.

Signature and seal of the bidder